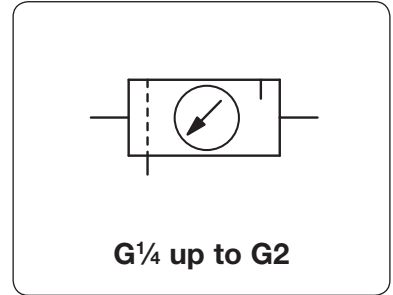


Description	FRL service unit of small size and with high flow. Solid design, proven in operation.	
Media	compressed air, non-corrosive gases or liquids	
Supply pressure	max. 11 bar for plastic bowl, max. 17 bar for metal bowl with sight glass	
Adjustment	by T-handle with locknut, by plastic knob with snap-lock on pilot regulator at size G2	
Relieving function	relieving, optionally non-relieving Air consumption only for pilot pressure at size G2	
Gauge port	G¼ on both sides of the body, one screw plug supplied	
Filter element	40 µm, optionally 5 µm, made of polypropylene	
Bowl	plastic version up to size G½, otherwise metal version with or without sight glass	
Drainage	manual drain as standard for max. 21 bar optionally internal automatic drain for max. 12 / 16 bar or external automatic drain for max. 18 bar	
Temperature range	0 °C to 50 °C / 32 °F to 122 °F for plastic bowl or (semi)automatic drain version 0 °C to 70 °C / 32 °F to 158 °F for metal bowl with sight glass 0 °C to 80 °C / 32 °F to 176 °F for metal bowl without sight glass	
Material	Body: zinc die-cast Elastomer: NBR/Buna-N Bowl: polyurethane, zinc die-cast or steel Inner valve: brass	



Dimensions			Combination consisting of	Bowl design made of	Flow rate		Connection thread G	Order number
A	B	C			m³/h*1	l/min*1		

FRL unit, 3-part

P1: max. 11 / 17 bar, P2: 0.3...9 bar, 40 µm, manual drain, relieving, with pressure gauge

C630

222	194	137	F602 +R119	plastic metal/sight glass	66	1 100	G¼	C630-02FRL-A C630-02FRL-W
222	194	137	+L606	plastic metal/sight glass	102	1 700	G¾	C630-03FRL-A C630-03FRL-W
273	207	146		plastic metal/sight glass	138	2 300	G½	C630-04FRL-A C630-04FRL-W
400	267	197		metal/sight glass	408	6 800	G¾	C630-06FRL-W C630-08FRL-W
419	286	206		metal/sight glass	600	10 000	G1¼	C630-10FRL-W C630-12FRL-W
485	425	356		metal/sight glass	1590	26 500	G2	C630-16FRL-W



C630-03FRL-A
with plastic bowl



C630-03FRL-W
with metal bowl and sight glass

Special options, add the appropriate letter

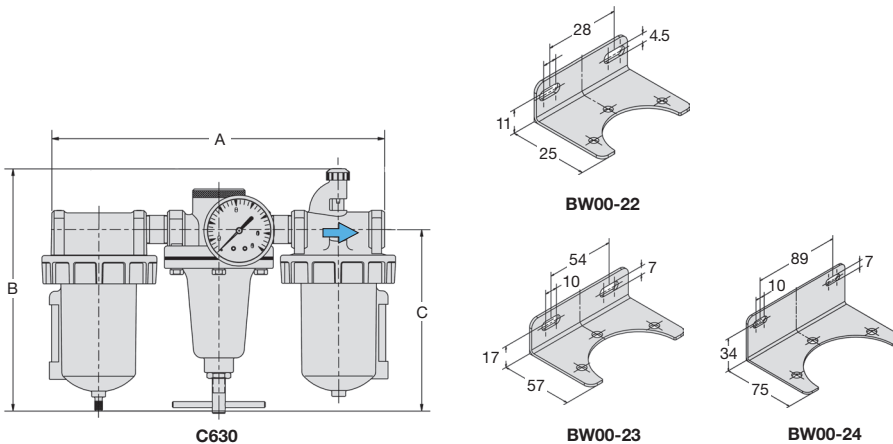
5 µm filter element		C630-0 G
NPT	connection thread	C630-0 N
0.2... 4 bar pressure range		C630-0 B
0.5...17 bar pressure range		C630-0 D
semiautomatic drain	RK500SY, max. 12 bar	C630-0 M
automatic drain	SA605MD, max. 12 bar	C630-0 R
flange connection	see chapter for stainless steel devices / flanges	C630-0 F.

Accessories, enclosed

mounting bracket	made of steel	for G¼ and G¾	BW00-22
		for G½	BW00-23
		for G¾ to G1½	BW00-24



with mounting flange



*1 at 8 bar supply pressure, 6 bar outlet pressure and 1 bar pressure drop

Further details: see chapter for single devices
Spare parts: see separate spare parts list

PDF CAD
www.aircom.net

Order example:
C630-02FRL-A

